



# HENDRIKX CONCRETE PTY LTD

417 PRINCES HIGHWAY, OFFICER, VIC 3809

ABN: 12 067 076 751 ACN: 067 076 751

TEL: (03) 5943 2321 FAX: (03) 5943 1221

EMAIL: sales@hendrixxconcrete.com.au

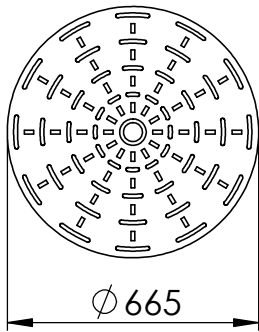
WEBSITE: www.hendrixxconcrete.com.au

## WATER TANK 6000 Litre HOLDING TANK PUMP PIT

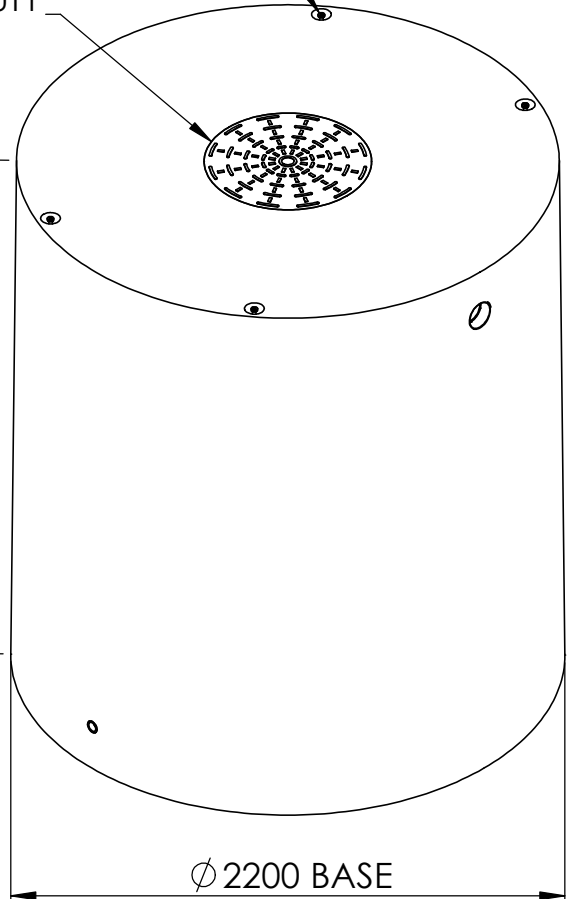
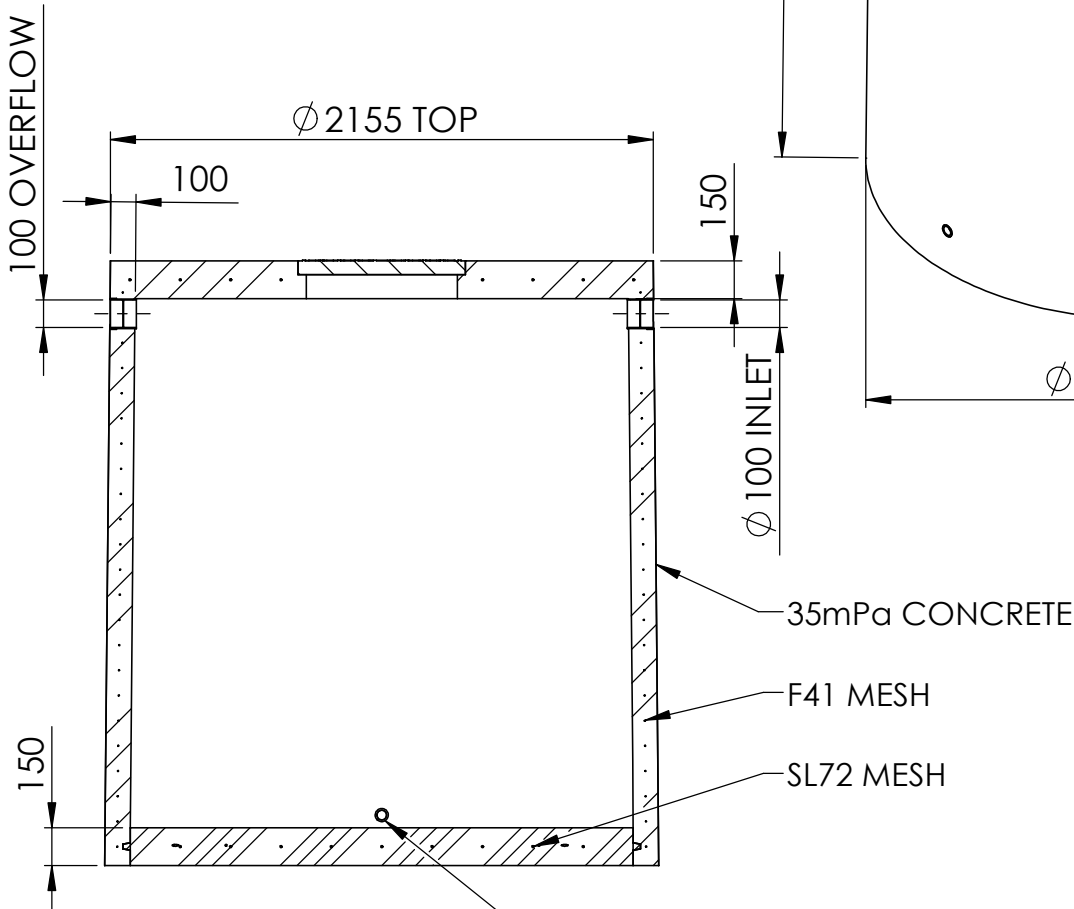
Weight = 6000 kg

LIFTING POINTS (4 PLACES)

Ø 600 LIGHT DUTY  
CAST IRON LID



LID: Ø 600 Light Duty Cast Iron



ISO VIEW

CENTRELINE  
SECTION  
SCALE 1 : 30

Ø 32mm  
BRASS FITTING

35mPa CONCRETE

F41 MESH

SL72 MESH

NOTES:

1. DO NOT SCALE.
2. SLIGHT TAPER ON CONCRETE UNITS.
3. MEASUREMENT IN MILLIMETRES.